

BOX BD 15/15 T6 2,2kW (252370157)

GENERAL DATA

CENTRIFUGAL IN SOUNDPROOF CABINET



MANUFACTURING FEATURES:

- Impellers made of polyamide reinforced with fiberglass up to size 33/33 (12/12). Rest of models made of galvanized steel sheet.
- BD range fans assembled in soundproof cabinets with thermo-acoustic insulation, Bs1d0 fire class.
- Fan assembled on antivibration mountings.
- Connection gland included.
- Closed motors specially designed by Casals with extruded aluminum housing, which make the whole connection is protected within the integrated terminal box on the motor IP 65 protection and motor with IP54 protection and Class F insulation standard voltages: 230V 50Hz in single phase and 230/400V 50Hz three-phase.

APPLICATIONS:

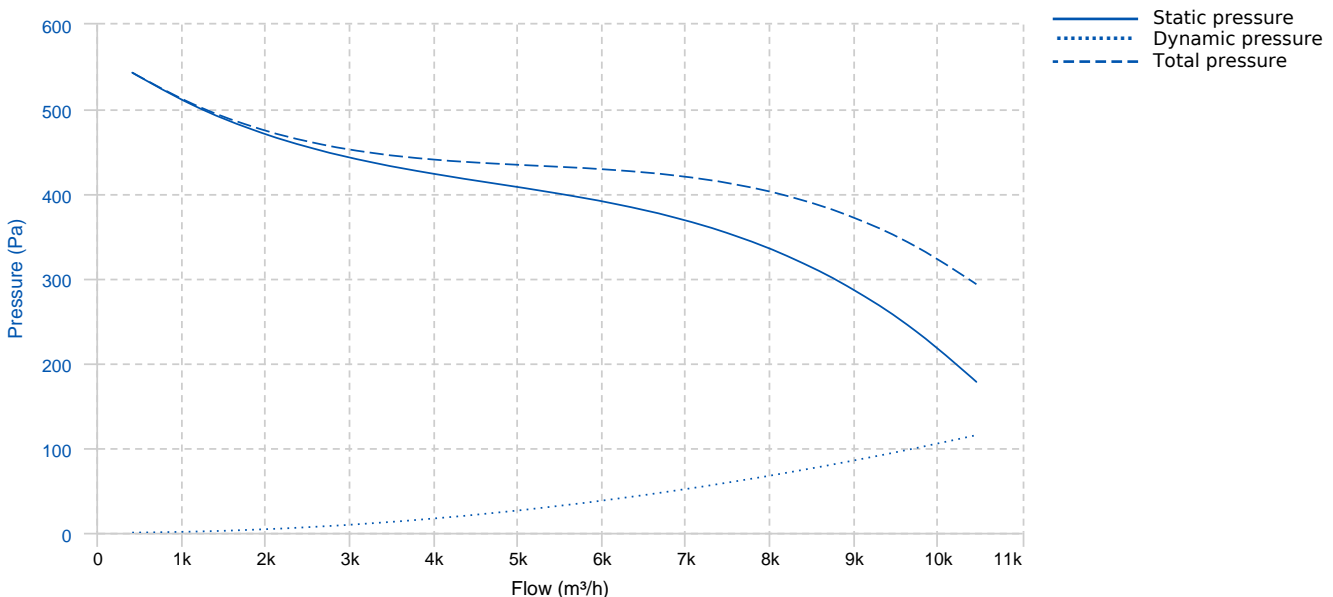
Designed for inline installation, indoor or outdoor assembly, they are suitable for:

- Air renewal in buildings and industries.
- Industrial and professional kitchen hoods.
- Maximum working temperature: 50°C.

UNDER REQUEST:

- LG0 position.
- Impellers made of galvanised steel sheet.
- 3 speed fans.

PERFORMANCE CURVE

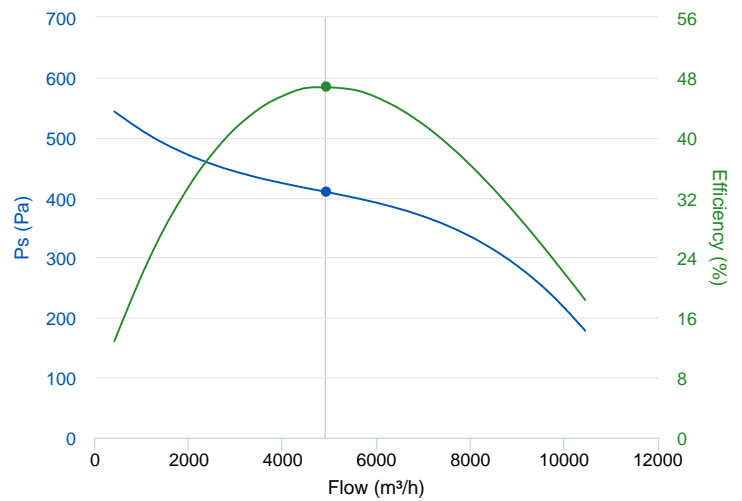


TECHNICAL DATA

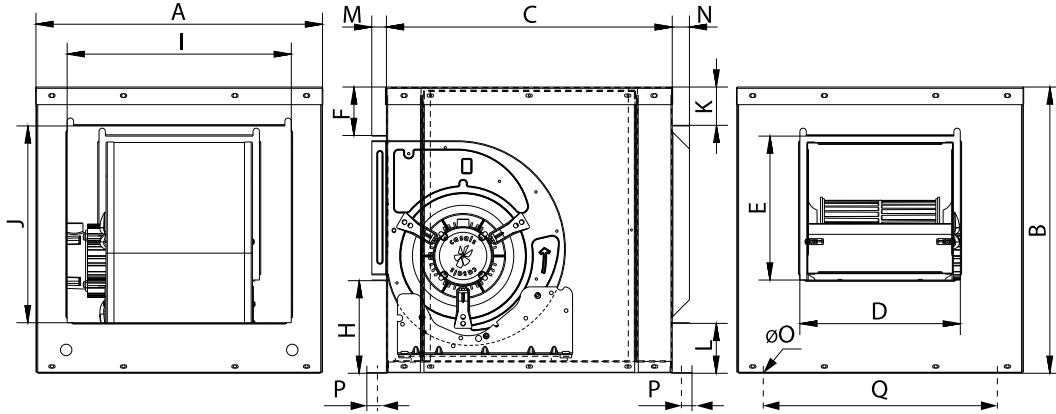
Fan							
RPM	900	Approx. weight	71 kg	Max. Flow	10460 m ³ /h		
Motor							
Power	2,2 kW	RPM	900	I max. (230V)	10,92 A	I max. (400V)	6,31 A
Size	STC100	Approx. weight	17 kg	Efficiency (%)	83.5 %		

ERP DATA

Fan data sheet		
Fan type	Unit for non-residential ventilation (LOT 6)	
Typology	Unidirectional	
reports.other	None	
Type of driver	None	
Motor power (kW)	2.2	
	Fan values	ERP Requirements 2018
Max. efficiency (%)	46.74	43.03
Effic. Heat recovery (%)	-	
Pabs (kW)	1.18	
Flow (m ³ /h)	4932.8	
Static pressure (Pa)	409.21	
Speed (m/s)	6.54	
SFP (W/m ³ /s)	861.45	



DIMENSIONS



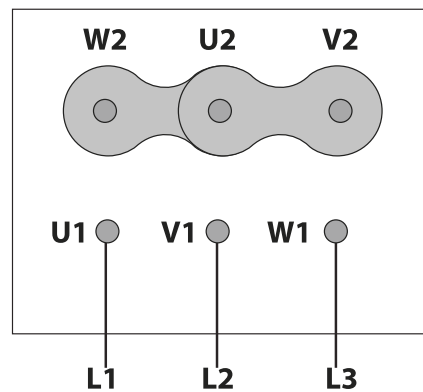
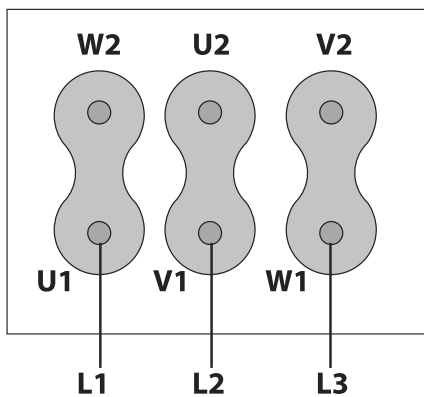
Dimensions (mm)

A	775	B	775	C	775	D	483	E	411
F	118	H	244	I	650	J	650	K	52
L	71	M	23	N	27	O	12	P	17
Q	715,4								

WIRING DIAGRAM

230V 

400V 



ACCESSORIES



SAFETY SWITCH
INT 25 3P A
REF: INT253PA



METALLIC GRAVITY SHUTTER FOR CABINET FANS. CERTIFIED 400°C/2H
PI 39/39 (15/15)
REF: 970390100



INLET BLIND COVER
TCA 10
REF: 960001115



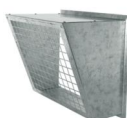
INLET/OUTLET ROUND COVER
TIAC 5 (OUT)
REF: 960001355



OUTDOOR FLANGE WITH BIRD GUARD
VIS OUT 15
REF: 960000053



INLET/OUTLET ROUND COVER
TIAC 16 (IN)
REF: 960001366



OUTDOOR FLANGE WITH BIRD GUARD
VIS IN 15
REF: 960000060



RECTANGULAR-CIRCULAR ANTI-VIBRATION FLANGE
BAC 5 (OUT 15/15)
REF: 960002955



RECTANGULAR-CIRCULAR ANTI-VIBRATION FLANGE
BAC 16 (IN BOX BD/BV 15/15)
REF: 960002966



FREQUENCY SPEED CONTROLLER
SFC 400 III 8A *
REF: SFC400III8

SPARE PARTS

*

	Code	Model	Qty
1	252379476	MOTOR+SUPPORTS BD39T6-3 M/C	x1
1	721081261	MOTOR BD T6 2,2kW 230/400V	x1
2	252379382	TURBINE BD 15/15	x1