

BOX BD 9/9 M4 0,35kW (251220550)

GENERAL DATA

CENTRIFUGAL IN SOUNDPROOF CABINET



MANUFACTURING FEATURES:

- Impellers made of polyamide reinforced with fiberglass up to size 33/33 (12/12). Rest of models made of galvanized steel sheet.
- BD range fans assembled in soundproof cabinets with thermo-acoustic insulation, Bs1d0 fire class.
- Fan assembled on antivibration mountings.
- Connection gland included.
- Closed motors specially designed by Casals with extruded aluminum housing, which make the whole connection is protected within the integrated terminal box on the motor IP 65 protection and motor with IP54 protection and Class F insulation standard voltages: 230V 50Hz in single phase and 230/400V 50Hz three-phase.

APPLICATIONS:

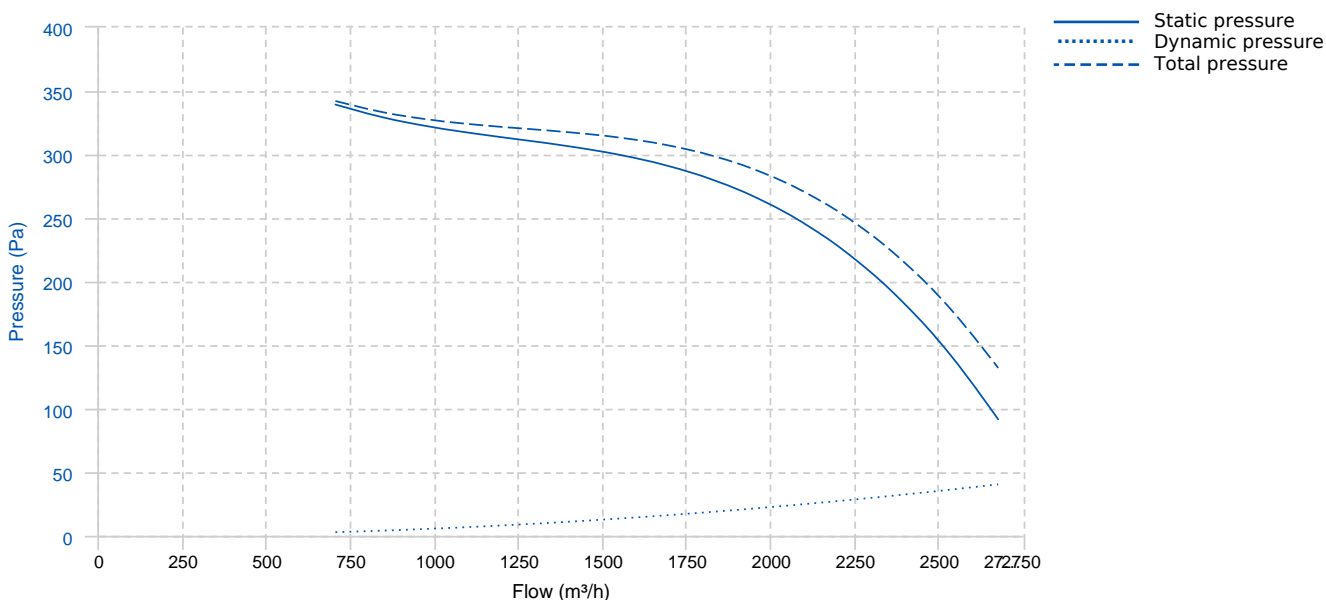
Designed for inline installation, indoor or outdoor assembly, they are suitable for:

- Air renewal in buildings and industries.
- Industrial and professional kitchen hoods.
- Maximum working temperature: 50°C.

UNDER REQUEST:

- LG0 position.
- Impellers made of galvanised steel sheet.
- 3 speed fans.

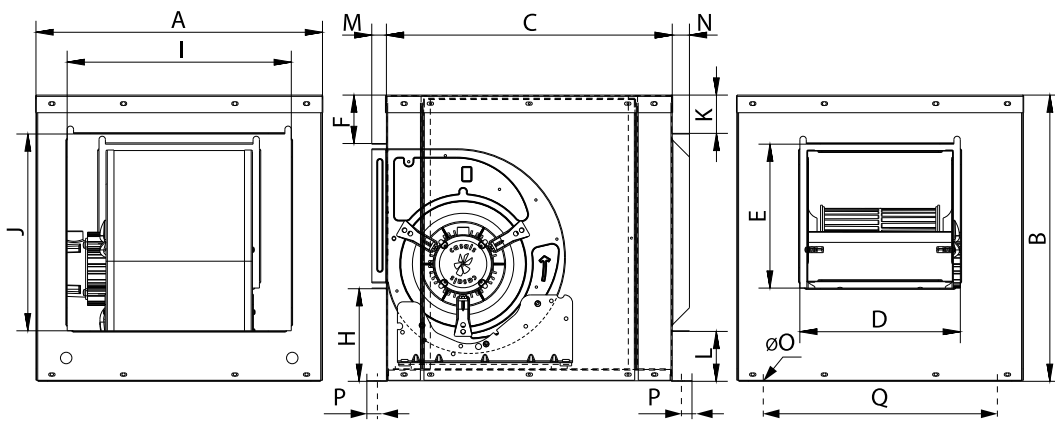
PERFORMANCE CURVE



TECHNICAL DATA

Fan							
RPM	1375	Approx. weight	30 kg	Max. Flow	2680 m ³ /h		
Motor							
Power	0,35 kW	RPM	1375	Capacitor	18μF 400V	I max. (230V)	2,7 A
Size	STC80	Approx. weight	6.4 kg	Efficiency (%)	71.8 %	FP	0.98

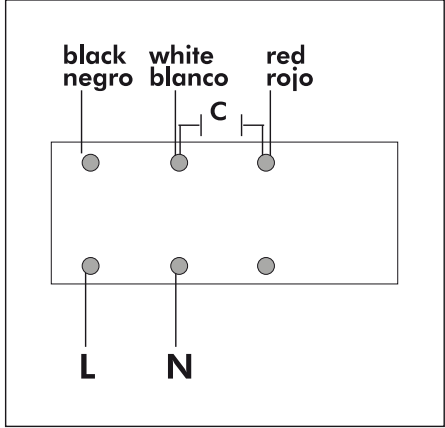
DIMENSIONS



Dimensions (mm)									
A	535	B	535	C	535	D	311	E	268
F	96	H	169	I	418	J	359	K	78
L	96	M	23	N	27	O	10	P	17
Q	478,5								

WIRING DIAGRAM

SINGLE PHASE MOTOR
MOTOR MONOFÁSICO



ACCESSORIES



MANUAL SINGLE PHASE SPEED CONTROLLER
REG 3A
REF: 960710030



SAFETY SWITCH
INT 25 3P A
REF: INT253PA



METALLIC GRAVITY SHUTTER FOR CABINET FANS. CERTIFIED 400°C/2H
PI 25/25 (9/9)
REF: 970250100



INLET BLIND COVER
TCA 7
REF: 960001112



INLET/OUTLET ROUND COVER
TIAC 2 (OUT)
REF: 960001352



INLET/OUTLET ROUND COVER
TIAC 13 (IN)
REF: 960001363



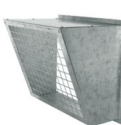
OUTDOOR FLANGE WITH BIRD GUARD
VIS IN 9
REF: 960000052



RECTANGULAR-CIRCULAR FLANGE **ANTI-VIBRATION**
BAC 2 (OUT 9/9)
REF: 960002952



RECTANGULAR-CIRCULAR FLANGE **ANTI-VIBRATION**
BAC 13 (IN BOX BD/BV 9/9)
REF: 960002963



OUTDOOR FLANGE WITH BIRD GUARD
VIS OUT 9
REF: 960000050



SPARE PARTS

•

	Code	Model	Qty
1	251229478	MOTOR+SUPPORTS BD9/9M4	x1
1	720331132	MOTOR BD M4 0,35kW 230V	x1
2	251289383	TURBINE PA6 BD9/9	x1