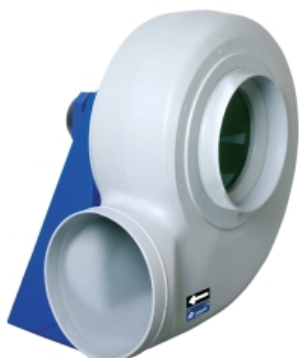


MBP 28 T2 0,75kW (502202817)

GENERAL DATA



MEDIUM PRESSURE WITH BACKWARD IMPELLER AND PLASTIC CONSTRUCTION

MANUFACTURING FEATURES:

- PE plastic housing.
- Backward impeller with self-cleaning system in PP plastic.
- Motor support made of rolled steel sheet with polyester powder finishing coat.
- Stainless steel nuts and bolts.
- Standard asynchronous squirrel-cage motor, IP-55, class F insulation. Standard voltages 230/400V 50Hz
- Standard orientation: LG270.

APPLICATIONS:

Designed for inline installation, they are suitable for:

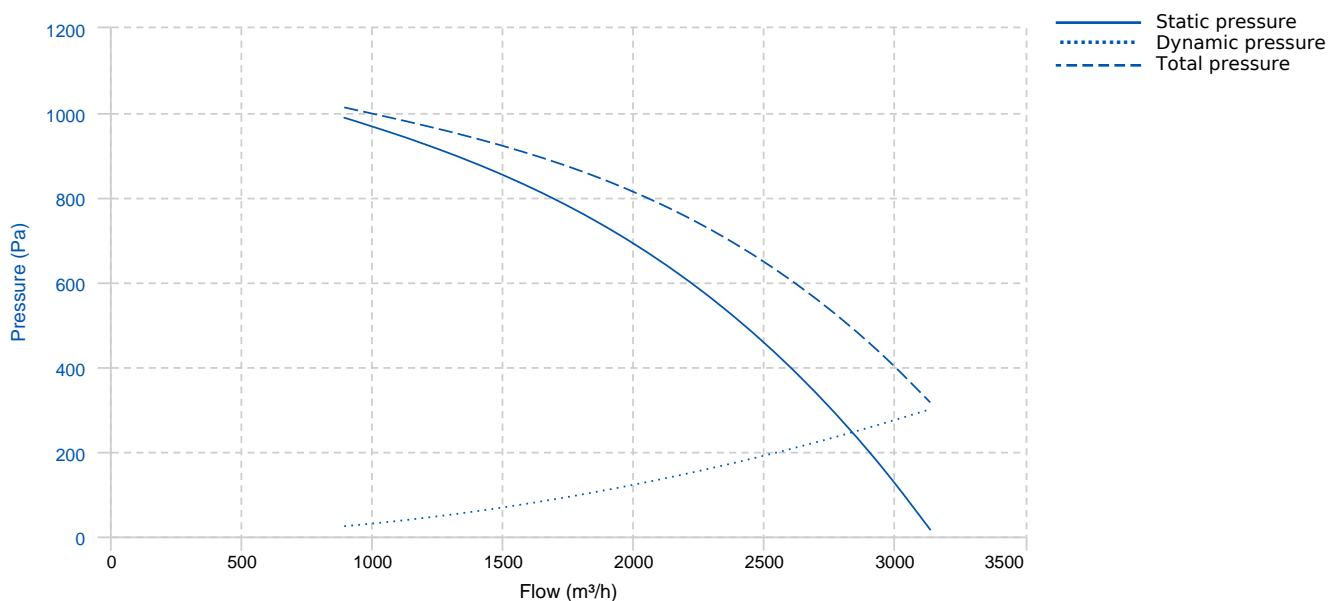
- Corrosive air transport.
- Chemical and petrochemical industry.
- Laboratories and gas cabinets.

- Maximum temperature of transported air: If it is clean air 70°C, other depends on the gas (see table in documentation)

UNDER REQUEST:

- Single phase motors (up to 1,5Kw).
- 60Hz fans and special voltages fans.
- 2 speed motors.
- Stainless steel motor support.
- Casing made of PP.
- Orientation: RD0, RD45, RD90, RD135, RD180, RD225, RD270, RD315, LG0, LG45, LG90, LG135, LG180. LG225, LG315.

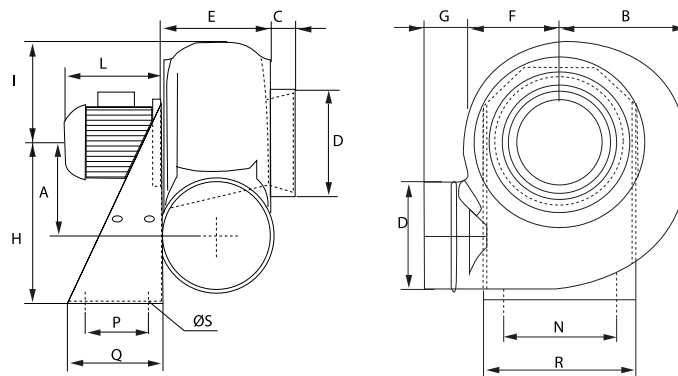
PERFORMANCE CURVE



TECHNICAL DATA

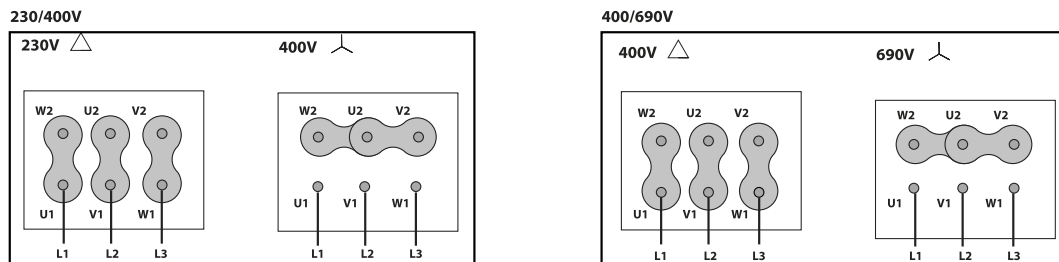
Fan							
RPM	2840	Approx. weight	19 kg	Max. Flow	3140 m ³ /h		
Motor							
Power	0.75 kW	RPM	2840	I max. (230V)	3 A	I max. (400V)	1,75 A
Size	80	Efficiency (%)	80.7 %	FP	0.8		

DIMENSIONS



Dimensions (mm)									
A	208	B	255	C	40	DØ	225	E	195
F	190	G	70	H	350	I	210	L	240
N	280	P	120	Q	190	R	316	S	11

WIRING DIAGRAM



ACCESSORIES



SAFETY SWITCH
INT 25 3P A
REF: INT253PA



ANTI-VIBRATING FLANGE 400º/2H
BA-400 25
REF: 960002051



ANTI-VIBRATION JOINT
JE 45
REF: 300719201



PVC FLEXIBLE JOINT
FJ Ø225
REF: FJ-225



DIFUSOR GRID
DG Ø225
REF: DG225



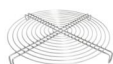
CIRCULAR GRAVITY DAMPER
CSC Ø225
REF: CSC225



ADJUSTABLE DAMPER
AD Ø225
REF: AD-225



DRAIN PLUG
PD 1
REF: PD1



STAINLESS STEEL PROTECTION GRID
RPI Ø225
REF: RPI225



WALL SUPPORT
WS 1
REF: WS1



ANTI-VIBRATION BLOCK
AV 1
REF: AV-1



CASING PROTECTION
PC 28
REF: PC28



MOTOR PROTECTION
PCM 1
REF: PCM1



FREQUENCY SPEED CONTROLLER
SFC 230 I 4,2A *
REF: SFC230I004



FREQUENCY SPEED CONTROLLER
SFC 400 III 2,2A *
REF: SFC400III2

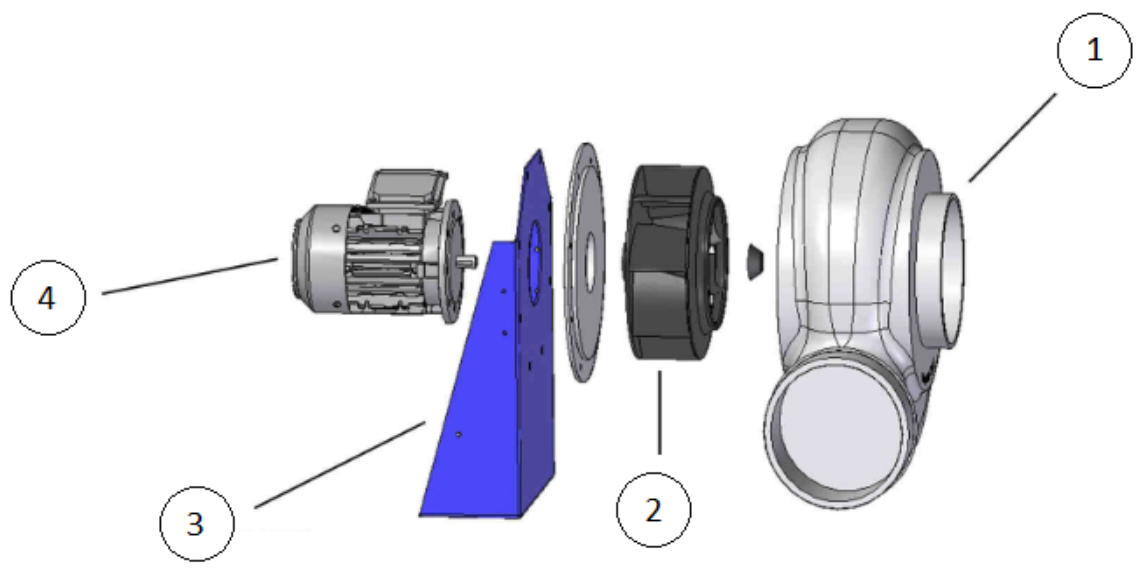


ANTI-VIBRATION RUBBER BLOCK
AVR (GENERIC)



ANTI-VIBRATION SPRING BLOCK
AVS (GENERIC)

SPARE PARTS



	Code	Model	Qty
2	T02202817	TURBINE MBP 28 T2 0,75kW LG	x1
4	721001036	MOTOR 0,75kW T2 B5 230/400V	x1