

BD 12/12 M6 0,76kW (251520261)

GENERAL DATA



FAN DOUBLE INLET

MANUFACTURING FEATURES:

- Galvanised steel sheet housing.
- Polyamide impeller reinforced with fibreglass in models 7/7, 9/9, 10/10 and 12/12. The impeller of the rest of models are made of galvanised steel sheet.
- Double inlet forward curved impeller in all models.
- Supplied with mounting feet (included in price).
- Exclusive system Casals fixing motor and turbine fan by flexible arms silent blocks to avoid any vibration. Arms in compliance with ROHS regulations 2002/95 / EC (Restriction of Hazardous Substances in electrical and electronic equipment)
- Closed motors specially designed Casals: extruded aluminum housing, all protected inside the terminal box on the motor IP 65 protection and motor with IP54 protection and Class F insulation standard voltages: 230V 50Hz in single phase and 230/400V 50Hz three-phase.
- Single phase motors with controllable voltage speed. Three phase motors controllable using a frequency speed controller

APPLICATIONS:

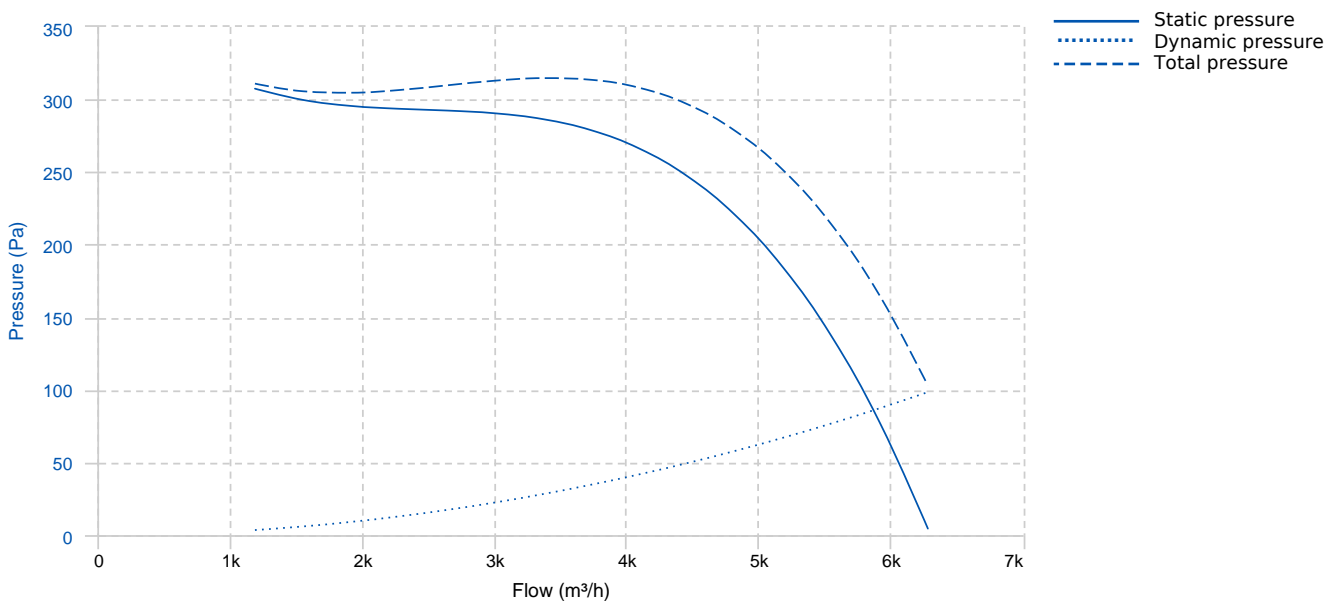
Designed for assembly in equipment:

- Ventilation boxes and air handling units.
- Centrifugal heaters.
- Industrial and professional kitchen hoods.
- Maximum working temperature: 50°C for single phase motors and 60°C for three phase motors.

UNDER REQUEST

- Impeller made of galvanized steel sheet.
- MBI assembled

PERFORMANCE CURVE

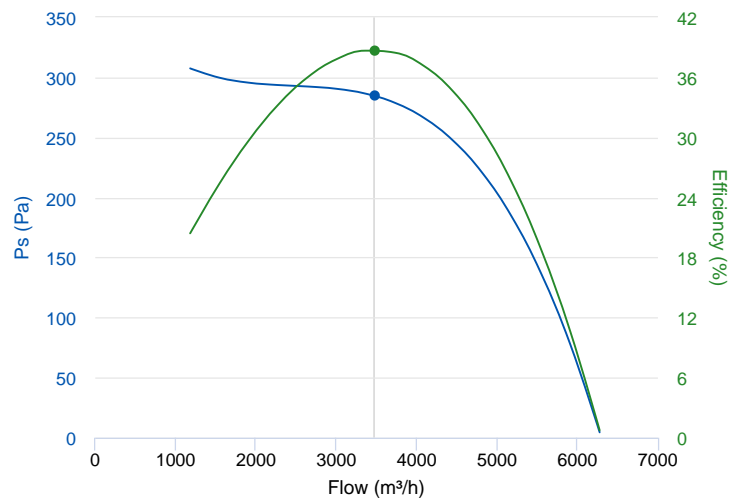


TECHNICAL DATA

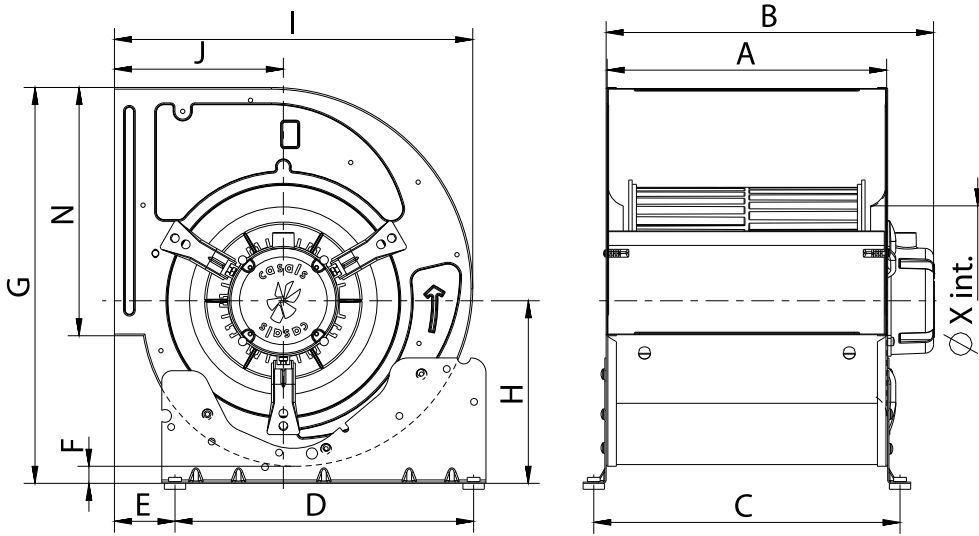
Fan							
RPM	950	Approx. weight	27 kg	Max. Flow	6280 m ³ /h		
Motor							
Power	0,76 kW	RPM	950	Capacitor	30μF 400V	I max. (230V)	6,7 A
Size	STC90	Approx. weight	11.15 kg	Efficiency (%)	70 %	FP	0.96

ERP DATA

Fan data sheet		
Fan type	Centrifugal fan radial or forward blades	
Installation category	A: Outlet and Inlet free discharge	
Efficiency category	Static	
The fan has to be installed with VF	No	
Motor power (kW)	0.76	
	Fan values	ERP Requirements 2015
Max. efficiency (%)	38.72	36.69
Efficiency grade (N)	46.03	44
Pabs (kW)	0.698	
Flow (m ³ /h)	3479.52	
Static pressure (Pa)	284.56	
Speed (m/s)	950	
Specific ratio	1.00	



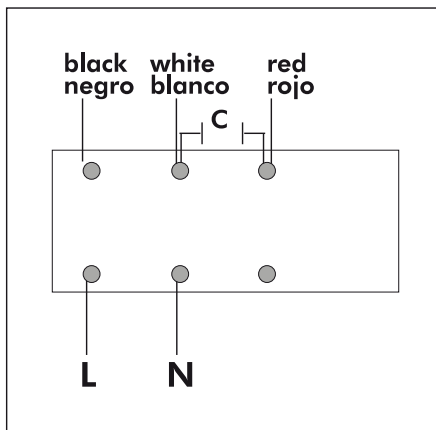
DIMENSIONS



Dimensions (mm)									
A	396	B m ^à x	437	C	425	D	350	E	77
F	17	G	536	H	244	I	490	J	230
N	343,5	X	260						

WIRING DIAGRAM

SINGLE PHASE MOTOR MOTOR MONOFÁSICO



ACCESSORIES



**MANUAL SINGLE PHASE SPEED CONTROLLER
REG 10A**
REF: 960710100



**SAFETY SWITCH
INT 25 3P A**
REF: INT253PA



**OUTLET PROTECTION GUARD FOR FANS
RI 12/12**
REF: 960000408



**INLET PROTECTION GUARD FOR CENTRIFUGAL
FANS
RA 12**
REF: 960670100



**OUTLET FLANGE FOR BD AND BV FANS
MBI 12/12**
REF: 251521691

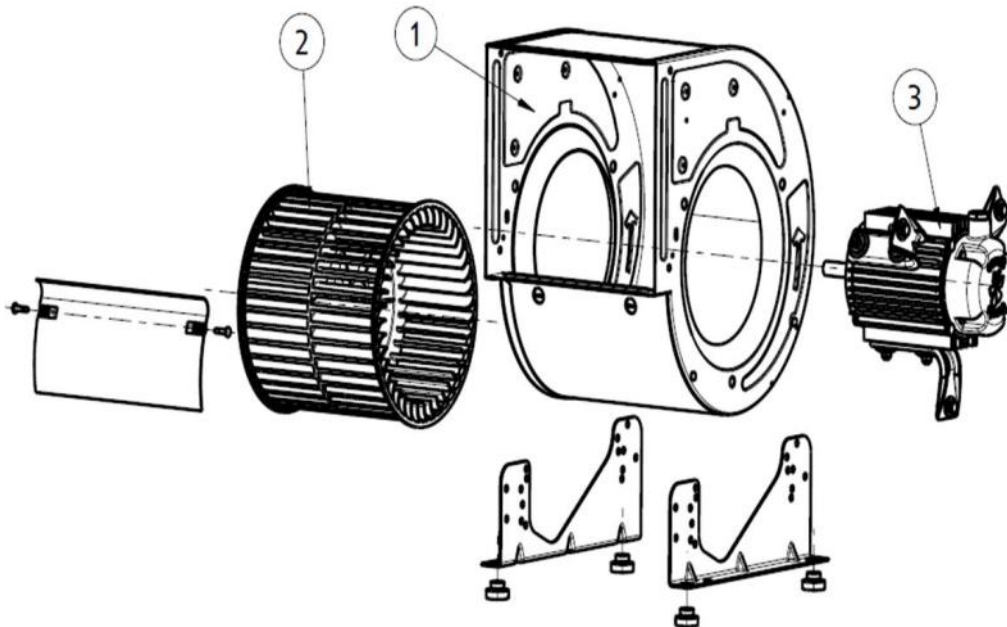


**PROTECTION GRID FOR BD FANS, MOTOR SIDE
RM 12 (T90)**
REF: 960000805



**MOUNTING SUPPORT FOR LOW PRESSURE FANS
S 12**
REF: 960530100

SPARE PARTS



	Code	Model	Qty
1	251529422	CASING BD12/12	x1
2	251529383	TURBINE PA6 BD12/12	x1
3	720331370M015	MOTOR 0,76kW 6P 230V 50Hz MC T90	x1