

## REG 1,5A (960710015)

### GENERAL DATA



#### MANUAL SINGLE PHASE SPEED CONTROLLER

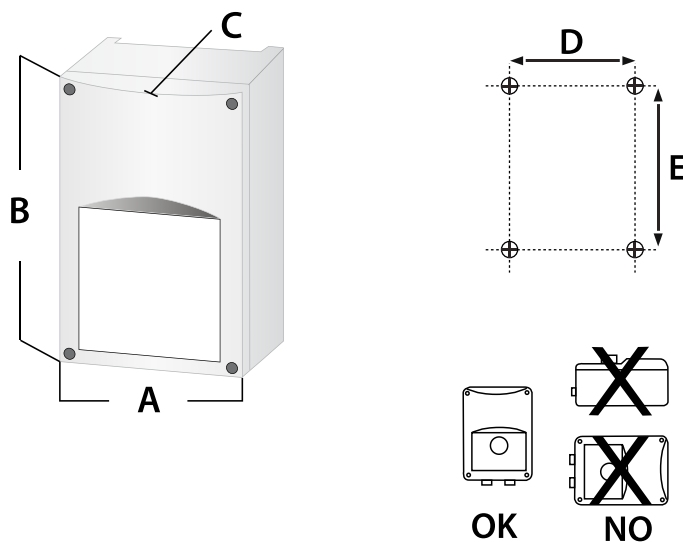
##### MANUFACTURING FEATURES

- Specially designed for sinus wave speed control. Only available for single phase fans.
- Terminal wiring.
- Minimum speed adjustable and potentiometer speed control.
- Sealed box IP-54 box. Light switch pilot.
- EMC filter according to the En55014 Standard.

### TECHNICAL DATA

approx. weight	0.35 Kg	I	1.5 A
----------------	---------	---	-------

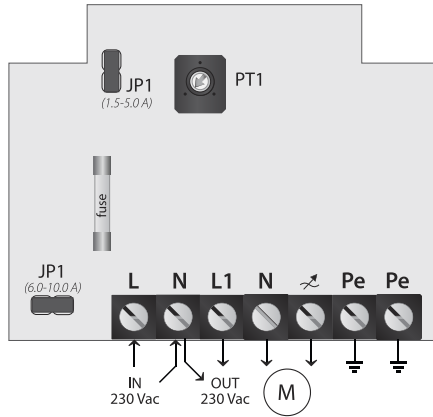
### DIMENSIONS



#### Dimensions (mm)

A	83	B	160	C	66	D	71	E	108
---	----	---	-----	---	----	---	----	---	-----

## WIRING DIAGRAM



L N	main supply 230 VAC - 50 Hz
N	neutral
Pe	earth connection
L1 N	unregulated out 230 VAC (2A)
N	regulated output to motor
JP1	jumper removed = normal working mode jumper in place = kickstart mode
PT1	minimum speed adjustment trimmer