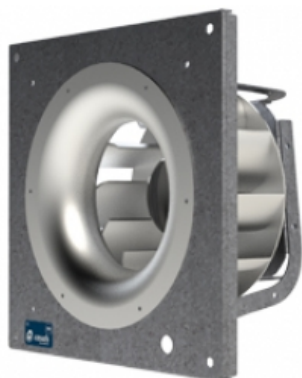


# ENKELFAN 310 EEC (ENKEC310)

## GENERAL DATA



### CENTRIFUGAL FAN WITH EXTERNAL ROTOR EC MOTOR

#### MANUFACTURING FEATURES

Plug-type fan with self-cleaning impeller with back curved blades (backward), high performance and single inlet, direct driven. Dynamically balanced to minimize noise and vibration. Polyamide reinforced impeller for models 155 and 190 and aluminum plate for the rest.

High efficiency, low noise external rotor EC motor. Speed control through a 0-10V or PWM signal. Single-phase 230V 50 / 60Hz power supply for models 155 to 310 and three-phase 400V 50 / 60Hz for sizes 355 and 450. IP54 motor and class B insulation.

Frame and motor support arms made of galvanized steel.

#### APPLICATIONS

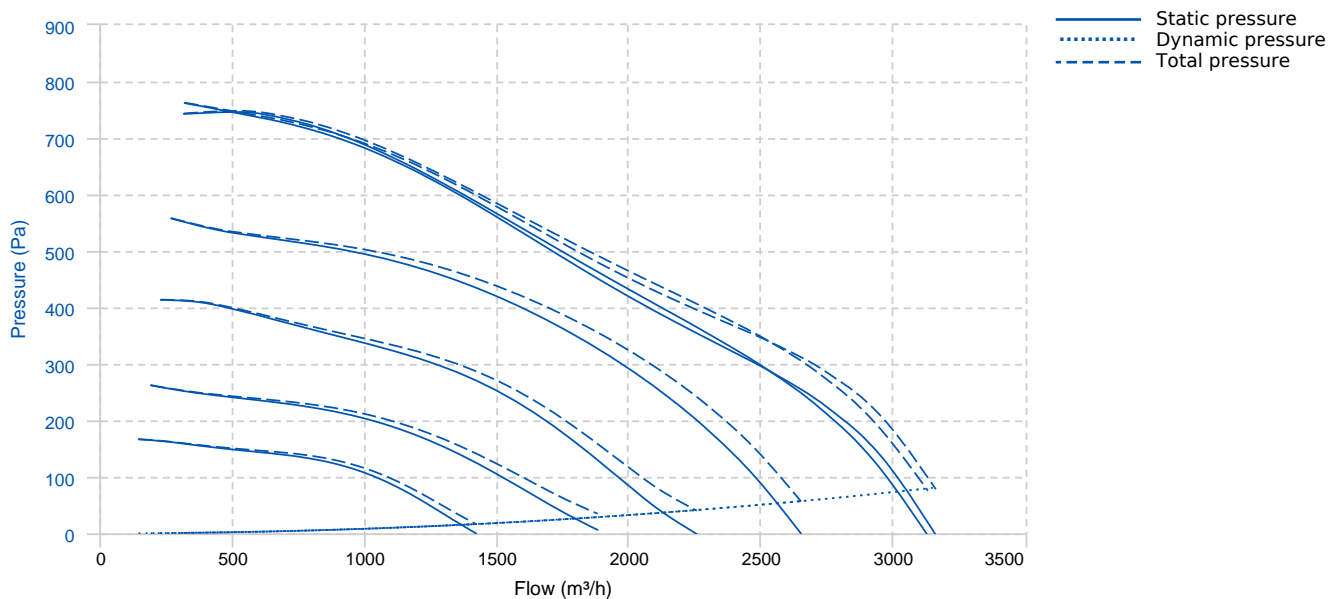
Ideal to integrate in air conditioners, plenums, compressors, dryers, booths, photovoltaic inverters.

Working temperature range from -20°C to 60°C.

#### UNDER REQUEST

- Fan (size between 250 and 450) with k-factor reading.

## PERFORMANCE CURVE

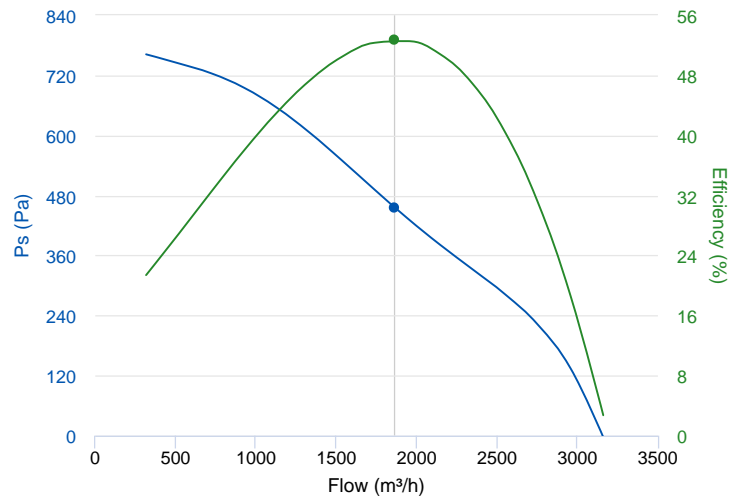


## TECHNICAL DATA

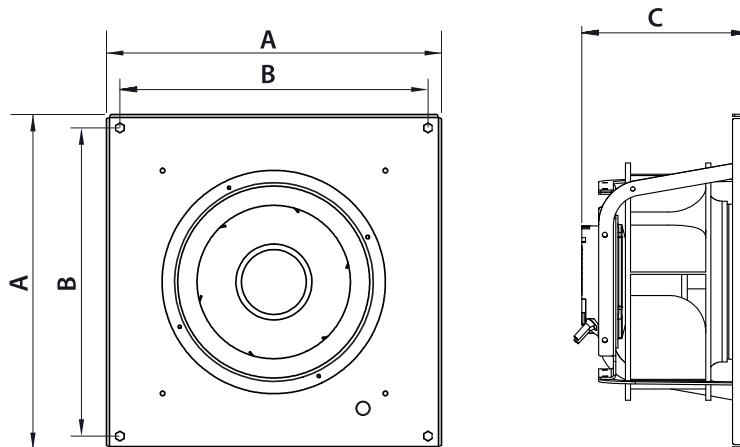
Fan						
RPM	2350	Approx. weight	13 kg	Max. Flow	3160 m³/h	
Motor						
Power	0.36 kW	RPM	2350	I max. (230V)	1,7 A	Approx. weight
						5 kg

## ERP DATA

Fan data sheet		
Fan type	Centrifugal fan backward blades without casing	
Installation category	A: Outlet and Inlet free discharge	
Efficiency category	Static	
The fan has to be installed with VF	No	
Motor power (kW)	0.36	
	Fan values	ERP Requirements 2015
Max. efficiency (%)	52.68	48.22
Efficiency grade (N)	66.46	62
Pabs (kW)	0.487	
Flow (m <sup>3</sup> /h)	1865.27	
Static pressure (Pa)	455.5	
Speed (m/s)	2350rpm (10V)	
Specific ratio	1.00	



## DIMENSIONS




### Dimensions (mm)

A	450	B	414	C	223.7
---	-----	---	-----	---	-------

## WIRING DIAGRAM

Nº	Signal Señal	Colour Color	Specification Especificación
1	L	Brown Marrón	AC 220V-50/60 Hz
2	N	Blue Azul	AC 220V-50/60 Hz
3	Pe	Yellow-Green Amarillo-Verde	

Nº	Signal Señal	Colour Color	Specification Especificación
1	GND	Blue Azul	
2	Vsp	Yellow Amarillo	0-10 V/PWM
3	Vcc	Red Rojo	DC 10V
4	FG	White Blanco	12 Pulse/R

## ACCESSORIES

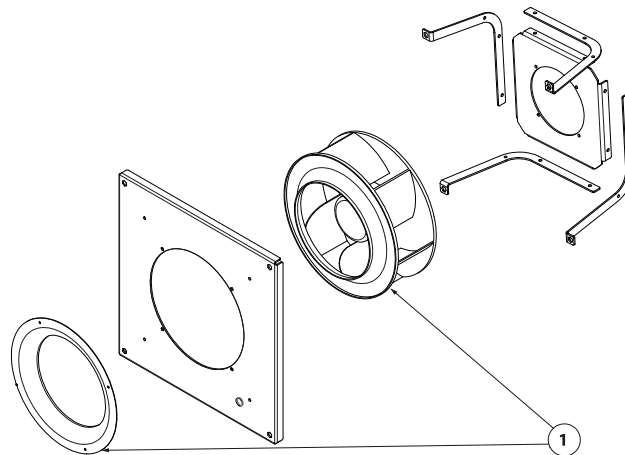


**SPEED CONTROLLER FOR EEC MOTOR  
REGC**  
REF: FX263300



**SPEED CONTROLLER WITH SAFETY SWITCH FOR  
EEC MOTOR  
PMR 25A**  
REF: PMREEC

## SPARE PARTS



	Code	Model	Qty
1	241353017	MOTOR-FAN+INLET CONE Ø315 230V 50/60Hz	x1