

DPT 500 (DPT500)

DONNÉES GÉNÉRALES

DIFFERENTIAL PRESSURE TRANSMITER



It provides a voltage signal (0-10V) proportional to the pressure measurement. It is used together with the SFC (frequency regulator) to control the pressure of an installation.

Power supply 24V. Input signal up to ± 500 Pa. Output signal 0-10V proportional.

DONNÉES TECHNIQUES

approx. weight 0.05 Kg

DIMENSIONS

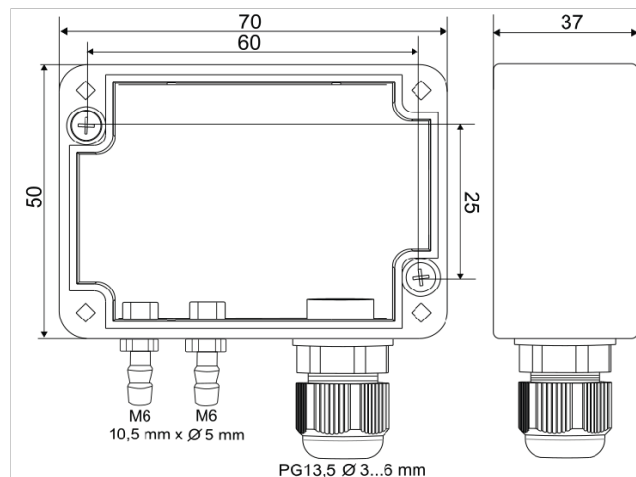


SCHÉMA DE CÂBLAGE

