

SFC 400 III 2,2A * (SFC400III2)

GENERAL DATA



FREQUENCY SPEED CONTROLLER

MANUFACTURING FEATURES

- Specially designed for speed frequency control in ventilation applications.
- Ultra compact, simple operation and wide range of functions.

*Dial panel incorporated. Optional EMC filter.

Certifications: CE/UL/CSA/EN/GOST/CCC.

Protection index IP20.

The selection of SFC frequency drive speed controller must be made based on the maximum intensity absorbed by the fan to be regulated. The powers (kW) and the intensity for constant load refer to the normal duty (150% overload for 60 seconds). The intensity for quadratic load admits an overload of 110% during 60s.

SFC 230: Entrance 230V I, exit 230V III

SFC 400: Entrance 400V III, exit 400V III

EMC filter incorporated for models from 47A (included)

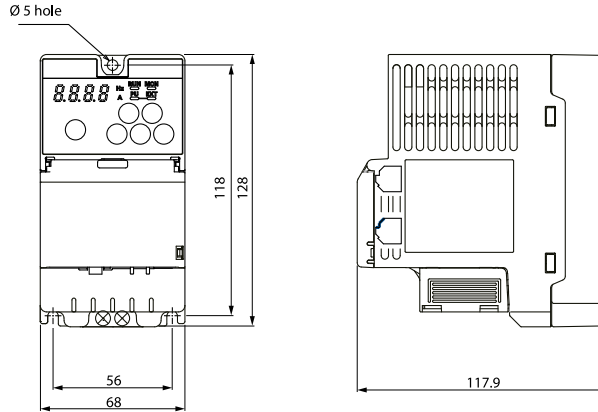
*Lineal load rated current

**Quadratic load rated current

TECHNICAL DATA

approx. weight	0.60 Kg	I	2. 2000000000000 002 A
----------------	---------	---	------------------------------

DIMENSIONS



WIRING DIAGRAM

