

# BD 7/7 M4 0,13kW (251100261)

## GENERAL DATA



### FAN DOUBLE INLET

#### MANUFACTURING FEATURES:

- Galvanised steel sheet housing.
- Polyamide impeller reinforced with fibreglass in models 7/7, 9/9, 10/10 and 12/12. The impeller of the rest of models are made of galvanised steel sheet.
- Double inlet forward curved impeller in all models.
- Supplied with mounting feet (included in price).
- Exclusive system Casals fixing motor and turbine fan by flexible arms silent blocks to avoid any vibration. Arms in compliance with ROHS regulations 2002/95 / EC (Restriction of Hazardous Substances in electrical and electronic equipment)
- Closed motors specially designed Casals: extruded aluminum housing, all protected inside the terminal box on the motor IP 65 protection and motor with IP54 protection and Class F insulation standard voltages: 230V 50Hz in single phase and 230/400V 50Hz three-phase.
- Single phase motors with controllable voltage speed. Three phase motors controllable using a frequency speed controller

#### APPLICATIONS:

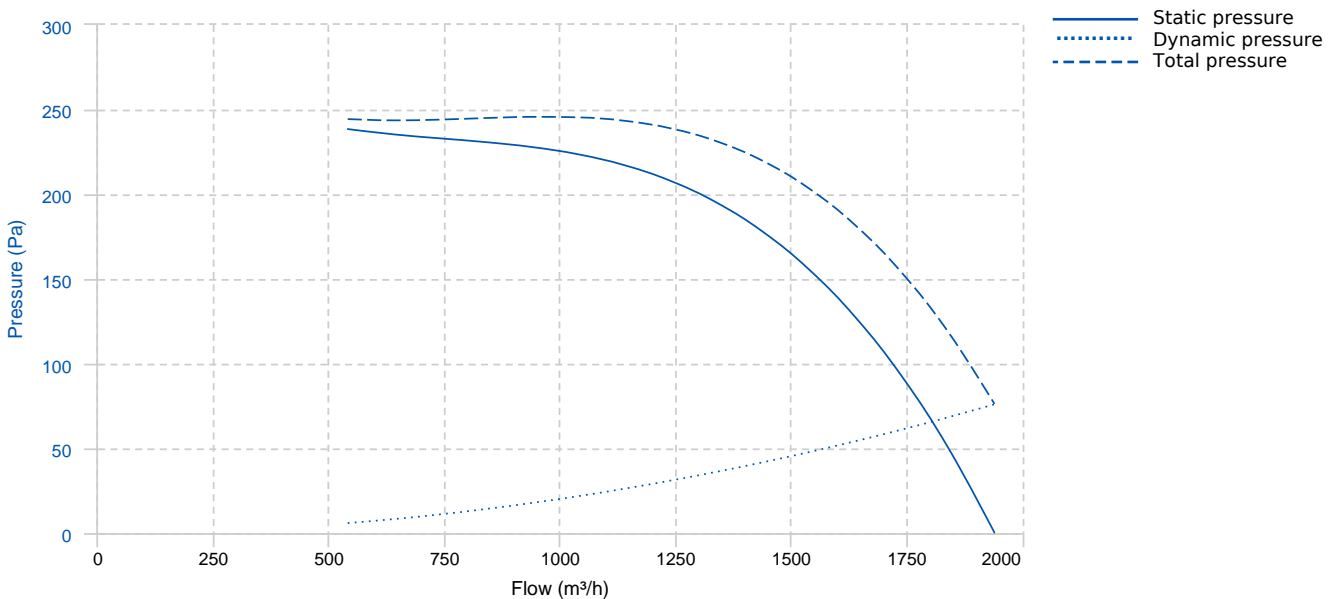
Designed for assembly in equipment:

- Ventilation boxes and air handling units.
- Centrifugal heaters.
- Industrial and professional kitchen hoods.
- Maximum working temperature: 50°C for single phase motors and 60°C for three phase motors.

#### UNDER REQUEST

- Impeller made of galvanized steel sheet.
- MBI assembled

## PERFORMANCE CURVE

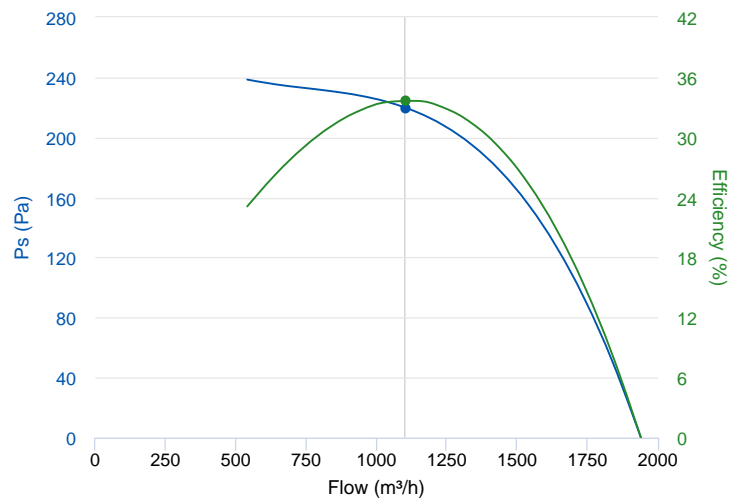


## TECHNICAL DATA

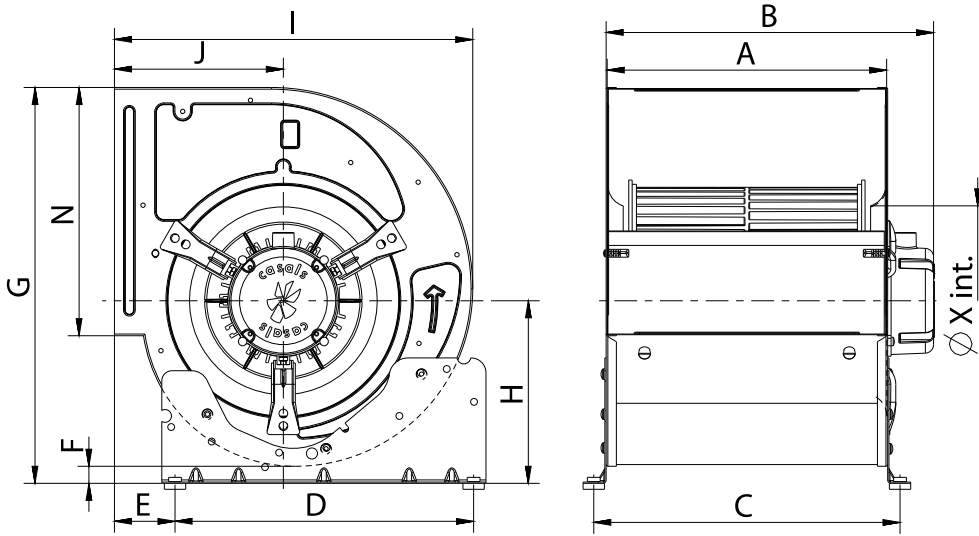
Fan							
RPM	1370	Approx. weight	9 kg	Max. Flow	1940 m <sup>3</sup> /h		
Motor							
Power	0,13 kW	RPM	1370	Capacitor	8μF 400V	I max. (230V)	1,55 A
Size	STC63	Approx. weight	4.1 kg	Efficiency (%)	60 %	FP	0.96

## ERP DATA

Fan data sheet		
Fan type	Centrifugal fan radial or forward blades	
Installation category	A: Outlet and Inlet free discharge	
Efficiency category	Static	
The fan has to be installed with VF	No	
Motor power (kW)	0.13	
	Fan values	ERP Requirements 2015
Max. efficiency (%)	33.7	33.26
Efficiency grade (N)	44.44	44
Pabs (kW)	0.2	
Flow (m <sup>3</sup> /h)	1104.78	
Static pressure (Pa)	219.73	
Speed (m/s)	1370	
Specific ratio	1.00	



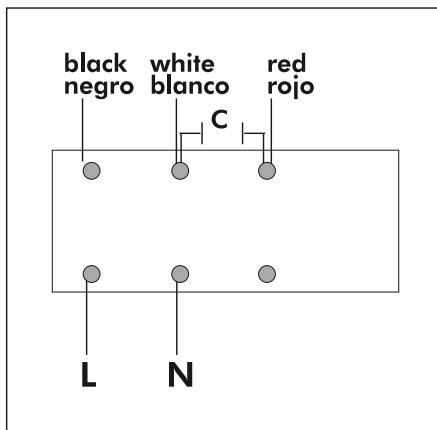
## DIMENSIONS



Dimensions (mm)									
A	230	B m <sup>à</sup> x	302	C	259	D	245	E	48,5
F	9,5	G	337	H	150	I	316	J	153
N	208	X	158						

## WIRING DIAGRAM

### SINGLE PHASE MOTOR MOTOR MONOFÁSICO



## ACCESSORIES



**MANUAL SINGLE PHASE SPEED CONTROLLER  
REG 1,5A**  
REF: 960710015



**MANUAL SINGLE PHASE SPEED CONTROLLER  
REG 3A**  
REF: 960710030



**SAFETY SWITCH  
INT 25 3P A**  
REF: INT253PA



**OUTLET PROTECTION GUARD FOR FANS  
RI 7/7**  
REF: 960000401



**PROTECTION GRID FOR BD FANS, MOTOR SIDE  
RM 7 (T63)**  
REF: 960000801



**INLET PROTECTION GUARD FOR CENTRIFUGAL  
FANS  
RA 7**  
REF: 960610100

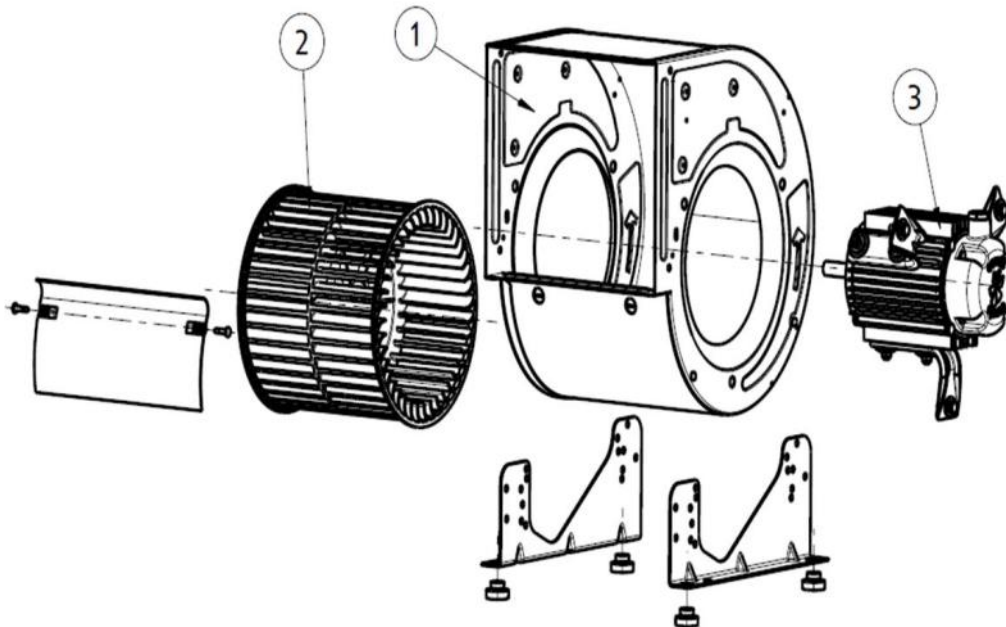


**OUTLET FLANGE FOR BD AND BV FANS  
MBI 7/7**  
REF: 251161691



**MOUNTING SUPPORT FOR LOW PRESSURE FANS  
S 7/9**  
REF: 960500100

## SPARE PARTS



	Code	Model	Qty
1	251169421	CASING BD7/7	x1
2	251169383	TURBINE PA6 BD7/7	x1
3	720331118M015	MOTOR 0,13kW 4P 230V 50Hz MC T63	x1