

# BD 9/9 M4 0,35kW (251220260)

## GENERAL DATA



### FAN DOUBLE INLET

#### MANUFACTURING FEATURES:

- Galvanised steel sheet housing.
- Polyamide impeller reinforced with fibreglass in models 7/7, 9/9, 10/10 and 12/12. The impeller of the rest of models are made of galvanised steel sheet.
- Double inlet forward curved impeller in all models.
- Supplied with mounting feet (included in price).
- Exclusive system Casals fixing motor and turbine fan by flexible arms silent blocks to avoid any vibration. Arms in compliance with ROHS regulations 2002/95 / EC (Restriction of Hazardous Substances in electrical and electronic equipment)
- Closed motors specially designed Casals: extruded aluminum housing, all protected inside the terminal box on the motor IP 65 protection and motor with IP54 protection and Class F insulation standard voltages: 230V 50Hz in single phase and 230/400V 50Hz three-phase.
- Single phase motors with controllable voltage speed. Three phase motors controllable using a frequency speed controller

#### APPLICATIONS:

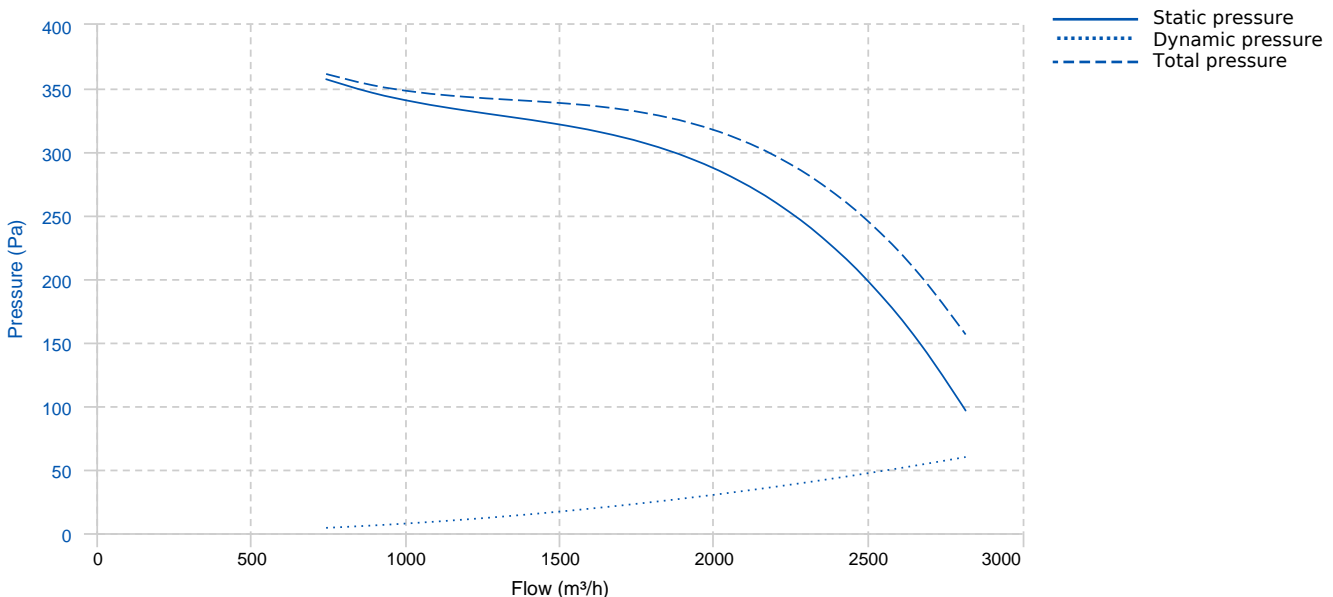
Designed for assembly in equipment:

- Ventilation boxes and air handling units.
- Centrifugal heaters.
- Industrial and professional kitchen hoods.
- Maximum working temperature: 50°C for single phase motors and 60°C for three phase motors.

#### UNDER REQUEST

- Impeller made of galvanized steel sheet.
- MBI assembled

## PERFORMANCE CURVE

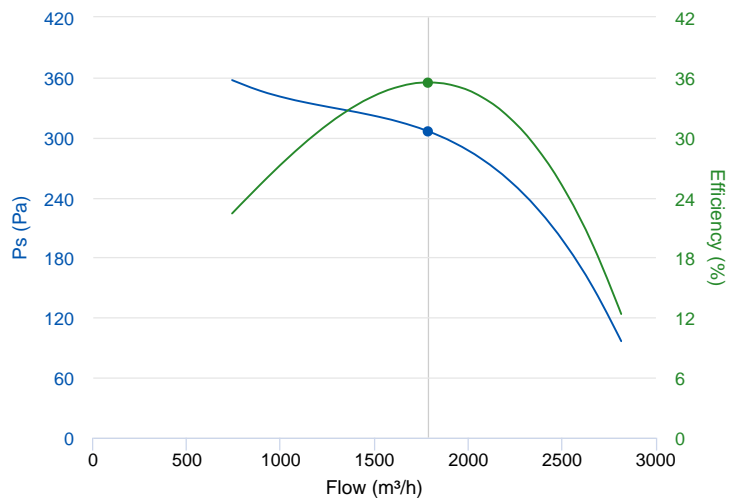


## TECHNICAL DATA

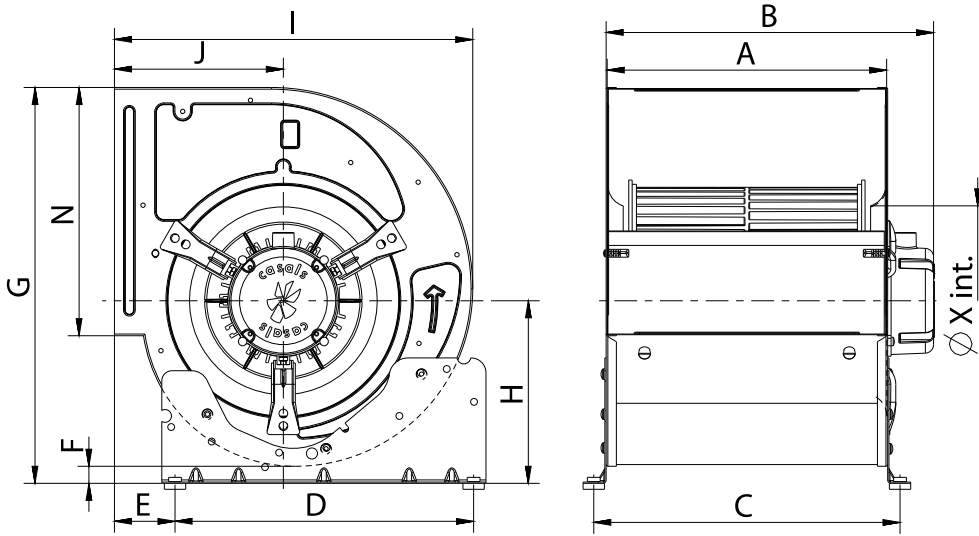
Fan							
RPM	1375	Approx. weight	12 kg	Max. Flow	2820 m <sup>3</sup> /h		
Motor							
Power	0,35 kW	RPM	1375	Capacitor	18μF 400V	I max. (230V)	2,7 A
Size	STC80	Approx. weight	6.4 kg	Efficiency (%)	71.8 %	FP	0.98

## ERP DATA

Fan data sheet		
Fan type	Centrifugal fan radial or forward blades	
Installation category	A: Outlet and Inlet free discharge	
Efficiency category	Static	
The fan has to be installed with VF	No	
Motor power (kW)	0.35	
	Fan values	ERP Requirements 2015
Max. efficiency (%)	35.49	35.41
Efficiency grade (N)	44.08	44
Pabs (kW)	0.438	
Flow (m <sup>3</sup> /h)	1790.28	
Static pressure (Pa)	305.88	
Speed (m/s)	1375	
Specific ratio	1.00	



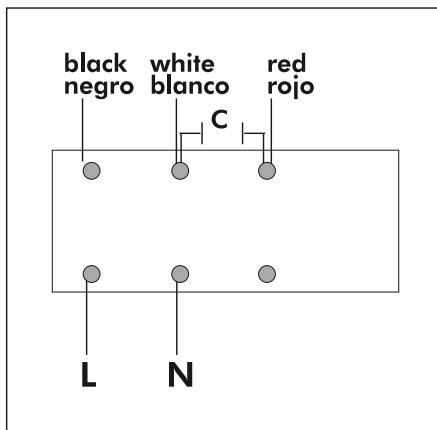
## DIMENSIONS



Dimensions (mm)									
A	301	B m <sup>à</sup> x	354,5	C	330	D	245	E	70
F	19	G	407	H	191	I	376	J	184
N	260	X	202						

## WIRING DIAGRAM

### SINGLE PHASE MOTOR MOTOR MONOFÁSICO



## ACCESSORIES



**MANUAL SINGLE PHASE SPEED CONTROLLER  
REG 3A**  
REF: 960710030



**SAFETY SWITCH  
INT 25 3P A**  
REF: INT253PA



**OUTLET PROTECTION GUARD FOR FANS  
RI 9/9**  
REF: 960000404



**PROTECTION GRID FOR BD FANS, MOTOR SIDE  
RM 9 (T80)**  
REF: 960000803



**INLET PROTECTION GUARD FOR CENTRIFUGAL  
FANS  
RA 9**  
REF: 960630100

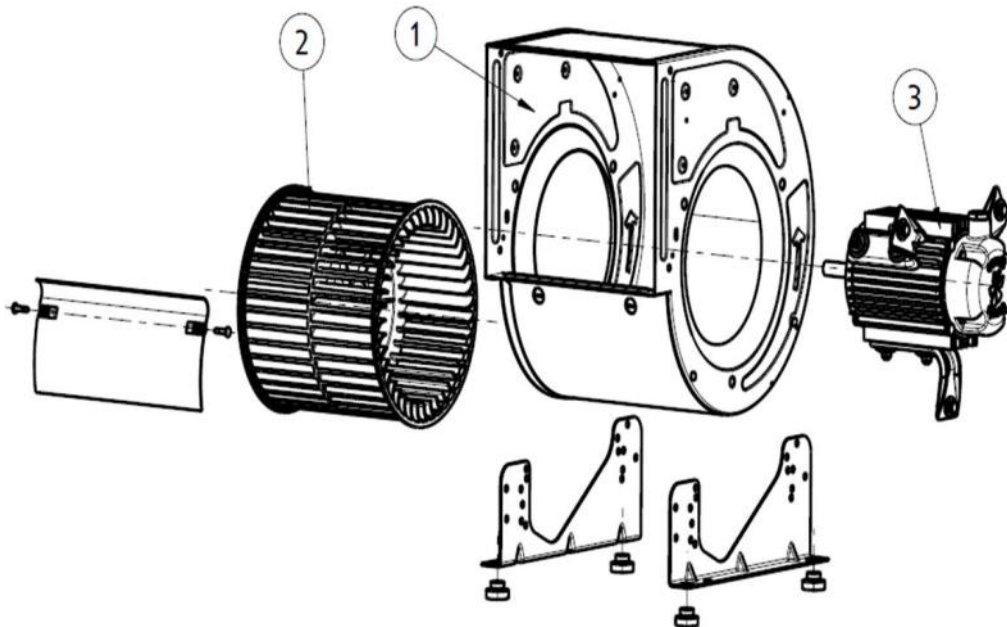


**OUTLET FLANGE FOR BD AND BV FANS  
MBI 9/9**  
REF: 251281691



**MOUNTING SUPPORT FOR LOW PRESSURE FANS  
S 7/9**  
REF: 960500100

## SPARE PARTS



	Code	Model	Qty
1	251289421	CASING BD9/9	x1
2	251289383	TURBINE PA6 BD9/9	x1
3	251229478	MOTOR+SUPPORTS BD9/9M4	x1
3	720331132	MOTOR BD M4 0,35kW 230V	x1