

# BOX BD 10/10 M4 0,59kW (251320550)

## GENERAL DATA

### CENTRIFUGAL IN SOUNDPROOF CABINET



#### MANUFACTURING FEATURES:

- Impellers made of polyamide reinforced with fiberglass up to size 33/33 (12/12). Rest of models made of galvanized steel sheet.
- BD range fans assembled in soundproof cabinets with thermo-acoustic insulation, Bs1d0 fire class.
- Fan assembled on antivibration mountings.
- Connection gland included.
- Closed motors specially designed by Casals with extruded aluminum housing, which make the whole connection is protected within the integrated terminal box on the motor IP 65 protection and motor with IP54 protection and Class F insulation standard voltages: 230V 50Hz in single phase and 230/400V 50Hz three-phase.

#### APPLICATIONS:

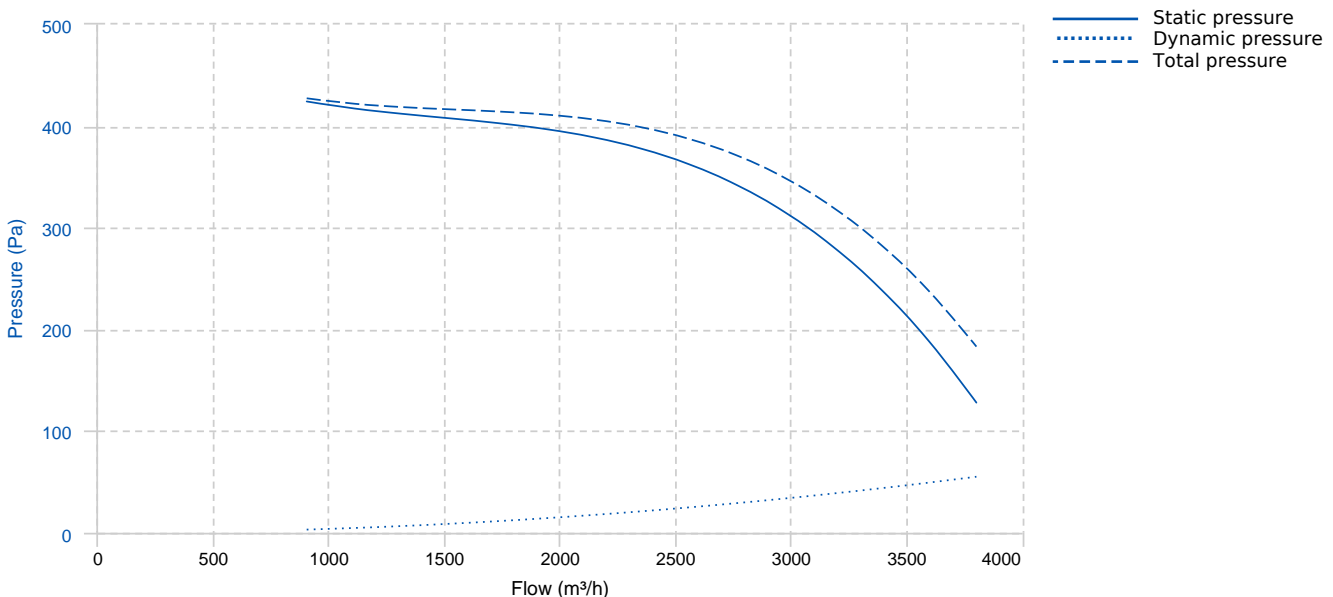
Designed for inline installation, indoor or outdoor assembly, they are suitable for:

- Air renewal in buildings and industries.
- Industrial and professional kitchen hoods.
- Maximum working temperature: 50°C.

#### UNDER REQUEST:

- LG0 position.
- Impellers made of galvanised steel sheet.
- 3 speed fans.

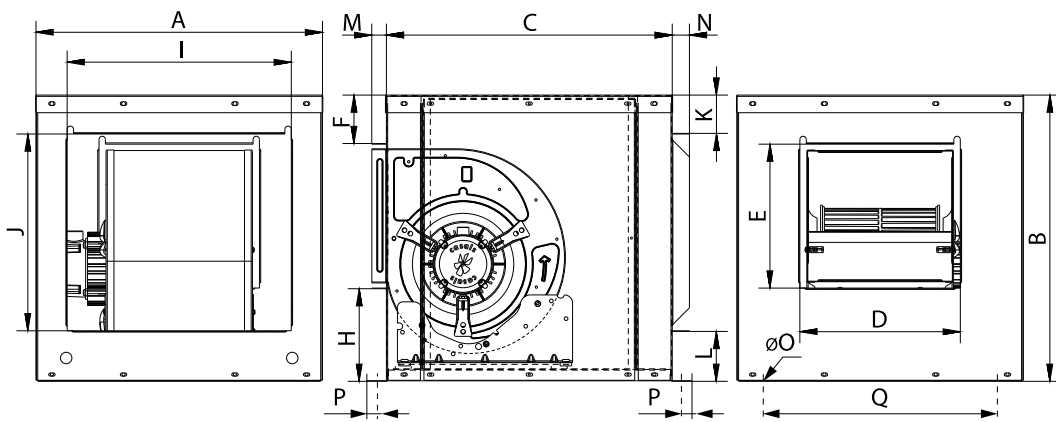
## PERFORMANCE CURVE



## TECHNICAL DATA

Fan							
RPM	1340	Approx. weight	34 kg	Max. Flow	3810 m <sup>3</sup> /h		
Motor							
Power	0,59 kW	RPM	1340	Capacitor	28µF 400V	I max. (230V)	4,5 A
Size	STC80	Approx. weight	7.7 kg	Efficiency (%)	68 %	FP	0.96

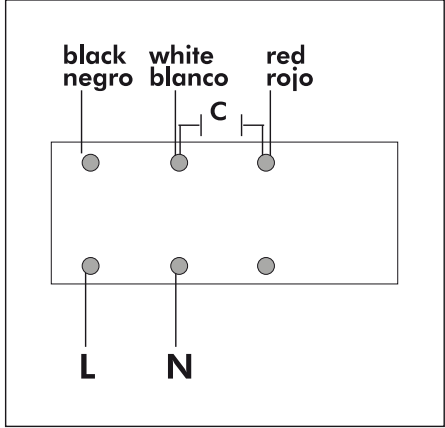
## DIMENSIONS



Dimensions (mm)									
A	580	B	580	C	580	D	342	E	298
F	84	H	195	I	493	J	421	K	69
L	88	M	23	N	27	O	10	P	17
Q	522,4								

**WIRING DIAGRAM**

SINGLE PHASE MOTOR  
MOTOR MONOFÁSICO



**ACCESSORIES**



**MANUAL SINGLE PHASE SPEED CONTROLLER**  
REG 5A  
REF: 960710050



**SAFETY SWITCH**  
INT 25 3P A  
REF: INT253PA



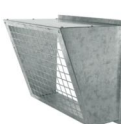
**METALLIC GRAVITY SHUTTER FOR CABINET FANS. CERTIFIED 400°C/2H**  
PI 28/28 (10/10)  
REF: 970280100



**INLET BLIND COVER**  
TCA 8  
REF: 960001113



**INLET/OUTLET ROUND COVER**  
TIAC 3 (OUT)  
REF: 960001353



**OUTDOOR FLANGE WITH BIRD GUARD**  
VIS OUT 10  
REF: 960000051



**INLET/OUTLET ROUND COVER**  
TIAC 14 (IN)  
REF: 960001364



**OUTDOOR FLANGE WITH BIRD GUARD**  
VIS IN 10  
REF: 960000053



**RECTANGULAR-CIRCULAR ANTI-VIBRATION FLANGE**  
BAC 3 (OUT 10/10)  
REF: 960002953

**ANTI-VIBRATION**



**RECTANGULAR-CIRCULAR ANTI-VIBRATION FLANGE**  
BAC 14 (IN BOX BD/BV 10/10)  
REF: 960002964

**ANTI-VIBRATION**



## SPARE PARTS

•

	Code	Model	Qty
1	251329478	MOTOR+SUPPORTS BD10/10M4 STC	x1
1	720331145	MOTOR BD M4 0,59kW 230V	x1
2	251379383	TURBINE PA6 BD10/10	x1