

BOX BD 12/12 M6 0,76kW (251520551)

GENERAL DATA

CENTRIFUGAL IN SOUNDPROOF CABINET



MANUFACTURING FEATURES:

- Impellers made of polyamide reinforced with fiberglass up to size 33/33 (12/12). Rest of models made of galvanized steel sheet.
- BD range fans assembled in soundproof cabinets with thermo-acoustic insulation, Bs1d0 fire class.
- Fan assembled on antivibration mountings.
- Connection gland included.
- Closed motors specially designed by Casals with extruded aluminum housing, which make the whole connection is protected within the integrated terminal box on the motor IP 65 protection and motor with IP54 protection and Class F insulation standard voltages: 230V 50Hz in single phase and 230/400V 50Hz three-phase.

APPLICATIONS:

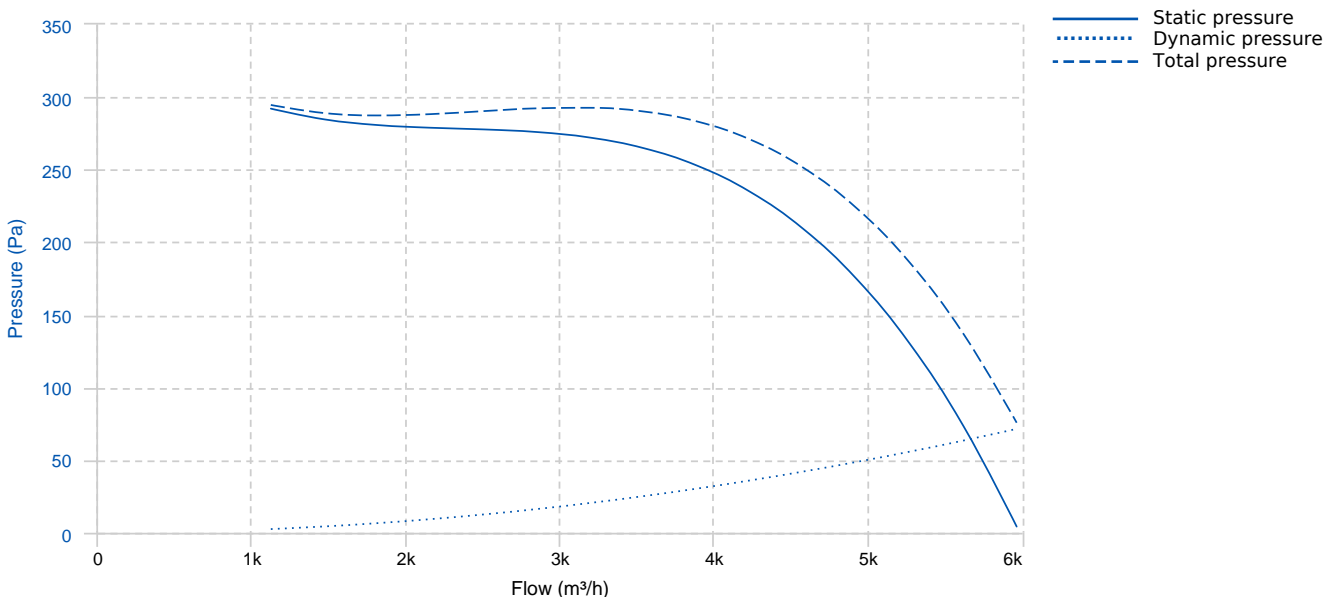
Designed for inline installation, indoor or outdoor assembly, they are suitable for:

- Air renewal in buildings and industries.
- Industrial and professional kitchen hoods.
- Maximum working temperature: 50°C.

UNDER REQUEST:

- LG0 position.
- Impellers made of galvanised steel sheet.
- 3 speed fans.

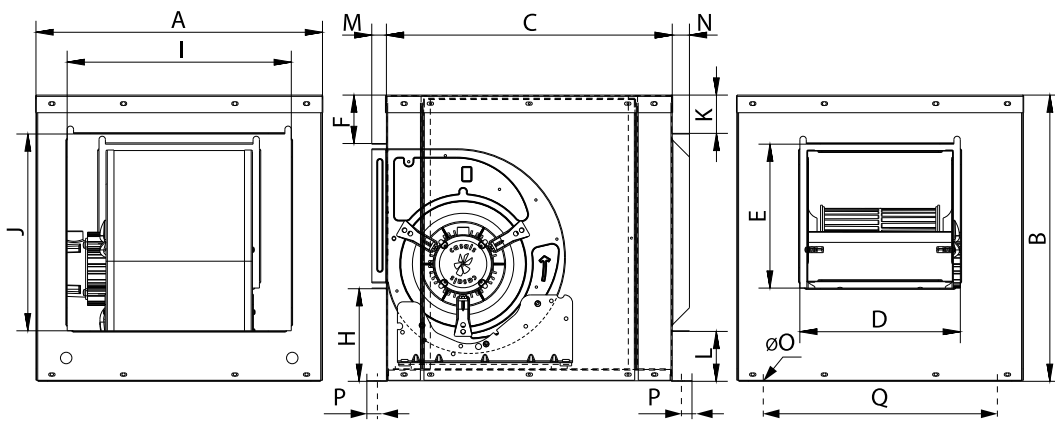
PERFORMANCE CURVE



TECHNICAL DATA

Fan							
RPM	950	Approx. weight	49 kg	Max. Flow	5970 m ³ /h		
Motor							
Power	0,76 kW	RPM	950	Capacitor	30µF 400V	I max. (230V)	6,7 A
Size	STC90	Approx. weight	11.15 kg	Efficiency (%)	70 %	FP	0.96

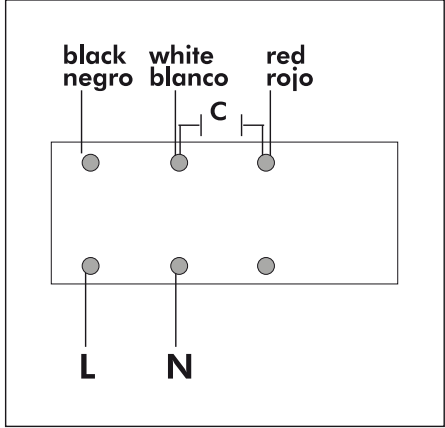
DIMENSIONS



Dimensions (mm)									
A	650	B	650	C	650	D	408	E	349
F	83	H	216	I	576	J	500	K	65
L	83	M	23	N	27	O	10	P	17
Q	592,4								

WIRING DIAGRAM

SINGLE PHASE MOTOR
MOTOR MONOFÁSICO



ACCESSORIES



MANUAL SINGLE PHASE SPEED CONTROLLER
REG 10A
REF: 960710100



SAFETY SWITCH
INT 25 3P A
REF: INT253PA



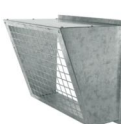
METALLIC GRAVITY SHUTTER FOR CABINET FANS. CERTIFIED 400°C/2H
PI 33/33 (12/12)
REF: 970330100



INLET BLIND COVER
TCA 9
REF: 960001114



INLET/OUTLET ROUND COVER
TIAC 4 (OUT)
REF: 960001354



OUTDOOR FLANGE WITH BIRD GUARD
VIS OUT 12
REF: 960000052



INLET/OUTLET ROUND COVER
TIAC 15 (IN)
REF: 960001365



OUTDOOR FLANGE WITH BIRD GUARD
VIS IN 12
REF: 960000054



RECTANGULAR-CIRCULAR ANTI-VIBRATION FLANGE
BAC 4 (OUT 12/12)
REF: 960002954



RECTANGULAR-CIRCULAR ANTI-VIBRATION FLANGE
BAC 15 (IN BOX BD/BV 12/12)
REF: 960002965

